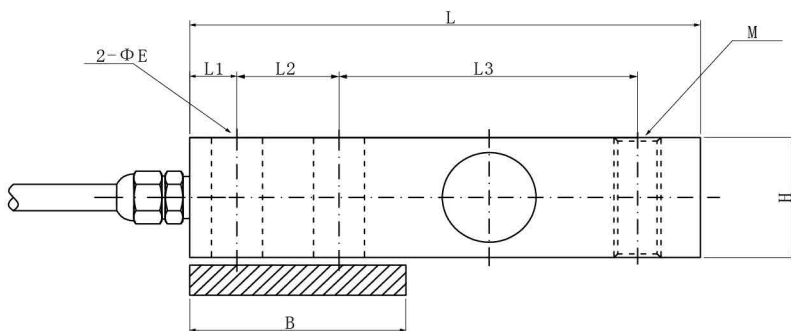


## Dimensions 尺寸



Capacity/量程	L	L1	L2	L3	H	ΦE	B	M
0.05~2T	130	12	26	76	32	13	55	M12×1.75
2.5~5T	171.5	19.1	38.1	95.3	38.1	19.5	76	M18×1.5
6~10T	225.6	25.4	50.8	122.9	51	26.4	105	M30×2.0

## Features 主要特点

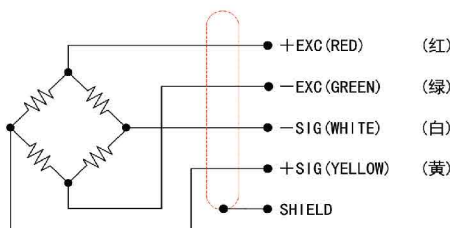
- Single ended shear beam load cell
- Senior stainless steel
- All sealed by welding
- High accuracy, High stability
- Easy to install
- Suitable for floor scales, blending & mixing systems, belt scales and batching Systems, etc.
- 悬臂梁式
- 优质不锈钢材质
- 全密封焊接
- 高精度, 高稳定性
- 安装简便、快速
- 适用于平台秤、搅拌站、皮带秤和配料秤等

## Specification 技术参数

型号	Model	TL01
量程	Capacity	0.05 ~ 10T (可选)
输出灵敏度	Rated Output	2.0 ± 0.005mV/V
零点平衡	Zero Balance	± 1%F.S
蠕变	Creep after 30 minutes	± 0.02%F.S
非线性	Nonlinearity	± 0.02%F.S
滞后	Hysteresis	± 0.02%F.S
重复性	Repeatability	± 0.02%F.S
灵敏度温漂	Temperature effect on output	≤ 0.002%F.S/°C
零点温漂	Temperature effect on zero	≤ 0.002%F.S/°C
工作温度范围	Safe Temperature Range	-10°C ~ +70°C
温度补偿范围	Temperature Compensate	-10°C ~ +40°C
安全载荷	Safe Overload	150%F.S
输入阻抗	Input Impedance	405 Ω ± 20 Ω
输出阻抗	Output Impedance	350 Ω ± 3 Ω
绝缘阻抗	Insulation Resistance	≥ 5000 MΩ (50VDC)
推荐激励电压	Rated Excitation	5 ~ 12VDC
防护等级	Protection grade	IP66
导线颜色	Cable Color code	红Red(+E) 绿Green(-E) 黄Yellow(+S) 白White(-S)

## Schematic 接线方式

- |          |          |     |     |
|----------|----------|-----|-----|
| ①RED:    | + input  | 红色: | +激励 |
| ②GREEN:  | - input  | 绿色: | -激励 |
| ③WHITE:  | - output | 白色: | -信号 |
| ④YELLOW: | + output | 黄色: | +信号 |



## Load Direction 受力方式

