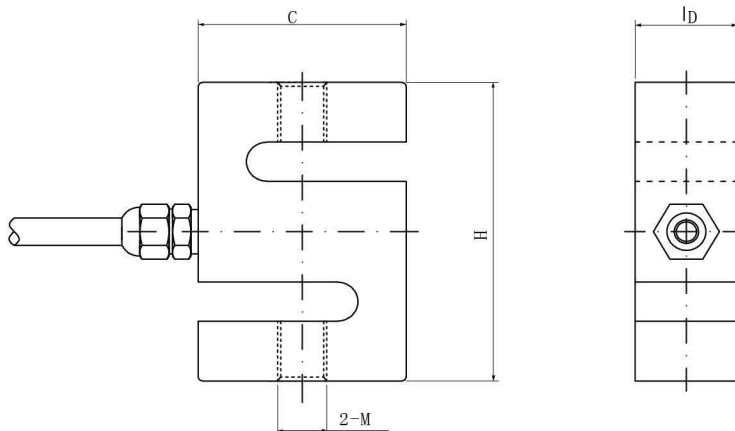


Dimensions 尺寸



Features 主要特点

- S-Type load cell
- Senior alloy steel
- All sealed by welding
- Easy to install, stabile & reliable
- Suitable for tension measurement, batchingsystems,blending & mixing systems, belt scales,etc.
- S型传感器
- 高级合金钢材质
- 全密封焊接
- 安装方便,稳定可靠
- 适用于材料试验机、配料系统、搅拌站和皮带秤等

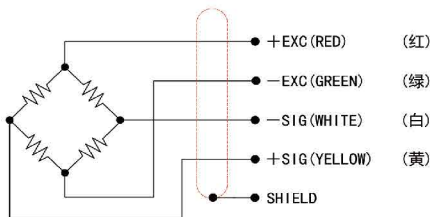
Capacity/量程	C	D	H	2-M
5~50kg	50.8	12.7	63.5	M8×1.25
100~300kg	50.8	19	76.2	M12×1.75
0.5~1T	50.8	25	76.2	M12×1.75
2T	64	25	70	M16×2
3~5T	86	35	94	M18×1.5

Load Direction 受力方式



Schematic 接线方式

- | | | | |
|----------|---------|-----|-----|
| ①RED: | + input | 红色: | +激励 |
| ②GREEN: | - input | 绿色: | -激励 |
| ③WHITE: | -output | 白色: | -信号 |
| ④YELLOW: | +output | 黄色: | +信号 |



Specification 技术参数

型号	Model	TS02
量程	Capacity	0.05~5T(可选)
输出灵敏度	Rated Output	2.0±0.005Mv/V
零点平衡	Zero Balance	±1%F.S
蠕变	Creep after 30 minutes	±0.02%F.S
非线性	Nonlinearity	±0.02%F.S
滞后	Hysteresis	±0.02%F.S
重复性	Repeatability	±0.02%F.S
灵敏度温漂	Temperature effect onoutput	≤0.002%F.S/°C
零点温漂	Temperature effect on zero	≤0.002%F.S/°C
工作温度范围	Safe Temperature Range	-10°C ~ +70°C
温度补偿范围	Temperature Compensate	-10°C ~ +40°C
安全载荷	Safe Overload	150%F.S
输入阻抗	Input Impedance	405Ω ± 20 Ω
输出阻抗	Output Impedance	350Ω ± 3 Ω
绝缘阻抗	Insulation Resisance	≥5000 MΩ (50VDC)
推荐激励电压	Rated Excitation	5~12VDC
防护等级	Protection grade	IP66
导线颜色	Cable Color code	红Red(+E) 绿Green(-E) 黄Yellow(+S) 白White(-S)